



INSULATION LEVEL

600 V; BIL 10kV full wave

FREQUENCY

60 Hz.

THERMAL RATINGS

40VA @ 30 deg. C ambient

27VA @ 55 deg. C ambient

OUTER ENCAPSULATION

Plastic cased

TERMINALS

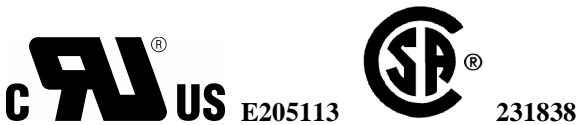
#6-32 screws with one lockwasher and one flatwasher

APPROX. WEIGHT

4.5 lbs.

CUSTOM OPTIONS (CONTACT US)

- Different Ratios
- Different encapsulation (epoxy resin,tape etc.)
- Different secondary termination
- Special electrical/mechanical/mounting needs possible
- Customer specific secondary voltages possible
- Mounting bracket

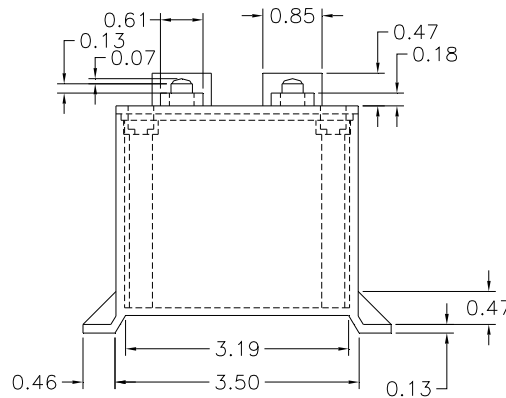
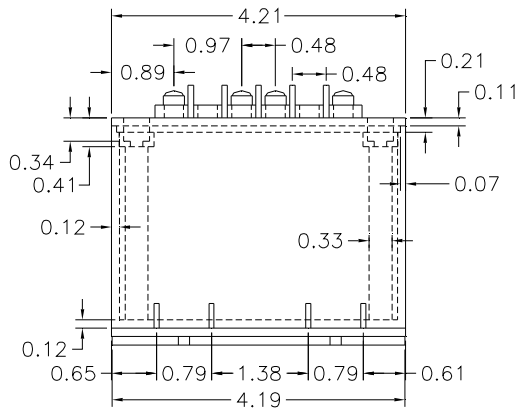
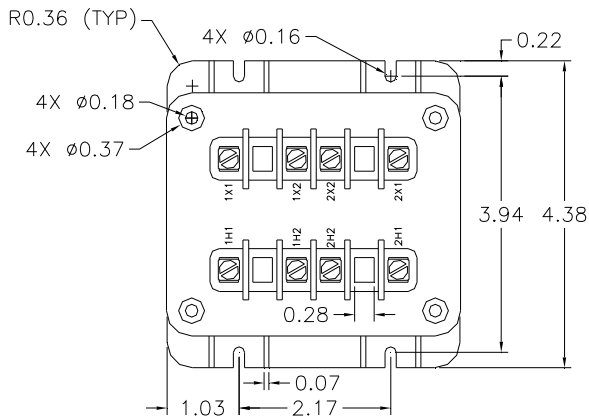


- **UL, cUL Recognized and CSA Certified**
- **As per ANSI/IEEE C57.13 OR IEC 60044 OR relevant standard**

TABLE:

CATALOG NUMBER	VOLTAGE RATIO	TURNS RATIO	RECOMMENDED PRIMARY FUSE RATING
PT103-069	69.3:120	0.58:1	1.5
PT103-120	120:120	1:1	1.0
PT103-208	208:120	1.73:1	0.5
PT103-240	240:120	2:1	0.5
PT103-227	277:120	2.31:1	0.5
PT103-288	288:120	2.4:1	0.4
PT103-300	300:120	2.5:1	0.4
PT103-346	346:120	2.88:1	0.4
PT103-480	480:120	4:1	0.25
PT103-600	300:120	5:1	0.25

DIMENSIONS (ALL DIMENSIONS ARE IN INCHES):



CLEAR PLASTIC COVER

