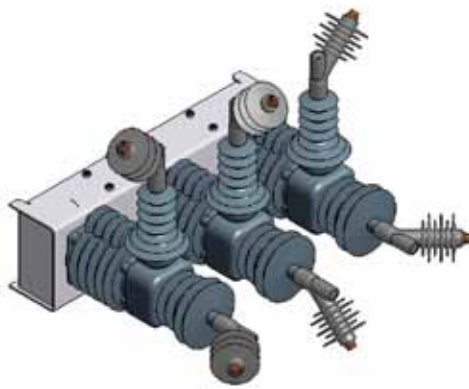


Product Specifications: REC35

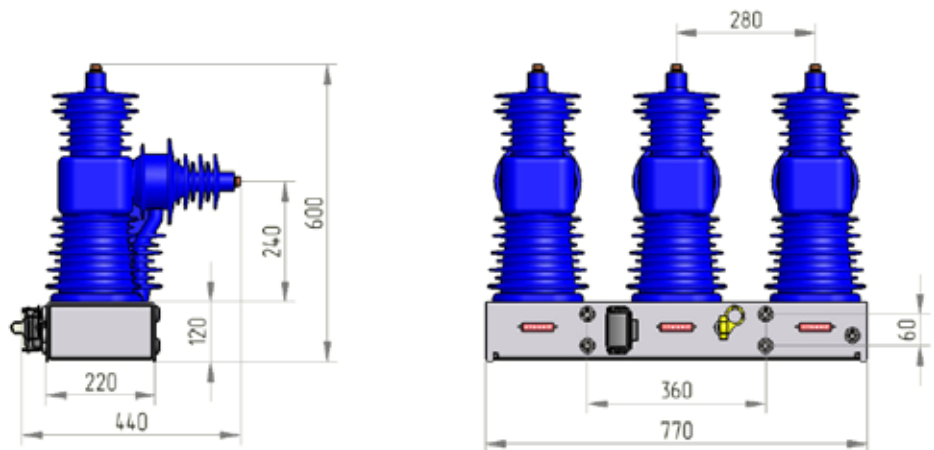

Tavrída has now revolutionized the concept of the circuit breaker. Through intense research and development based on the success of its ISM and OSM series, Tavrída proudly presents a 38 kV circuit breaker with integrated voltage and current sensors that can fit into the most compact of spaces, indoor or outdoor. Weather-proof housing is not required. This ground-breaking circuitbreaker renders GIS obsolete.

The REC35_SMART7 features include:

- Smart Circuit Breaker with integrated protection and communication functions
- New generation of mono-stable magnetic actuators
- New mechanical structure (independent control of each phase with common mechanical tripping and lockout function)
- Three combined voltage and current sensors (4 currents and 3 voltages in total) and accurate measurements over the entire range
- Highest mechanical and electrical endurance world-wide (20 000 CO)
- Smallest dimensions and weights available on the market (30 x 24 x 17 inches, less than 190 lbs)
- Smallest power consumption available on the market (50W only for ten seconds after closing)
- Maintenance-free lifetime duration (25 years)



Optional 200 kV BIL Extensions



General dimensions (mm) - REC35_SMART7

Product Specifications: REC35_SMART7

	TEL-SMART Version	REC35_SMART7
Rated Data	Rated voltage	38 kV
	Rated current	1200 A
	Rated power frequency withstand voltage (1 min dry)	70 kV
	Rated power frequency withstand voltage (10 sec wet)	60 kV
	Rated lightning impulse withstand voltage (peak)	170 kV (200 kV with extensions)
	Rated short-circuit breaking current	20 kA
	Rated peak withstand current (close and latch)	41.6 kA
	Rated short-time withstand current, 4s	20 kA
	Rated frequency	50 / 60 Hz
	Line charging	10 A
	Cable charging	50 A
Sensors	Current sensor configuration	3x Phase current sensors
	Current sensor type	Rogowski
	Voltage sensors	3x with low arm capacitor
Switching	Mechanical endurance (C-0 operations)	20000
	Electrical endurance (C-0 operations)	20000
	Closing time, not more than	40 ms
	Interrupting time, not more than	42 ms
	Rated operating sequence	0-0.1s-C0-1s-C0-1s-C0-60s
Standards	Designed to meet ANSI / IEEE standard	C37.60
Other Data	Resistance of main circuit	<95 μ 0hm
	Operating temperature range	-60°C to +55°C
	Weight	90 kg (198 lbs)
	Type of driving mechanism	Monostable magnetic actuator
	Applicable control module	RC_7